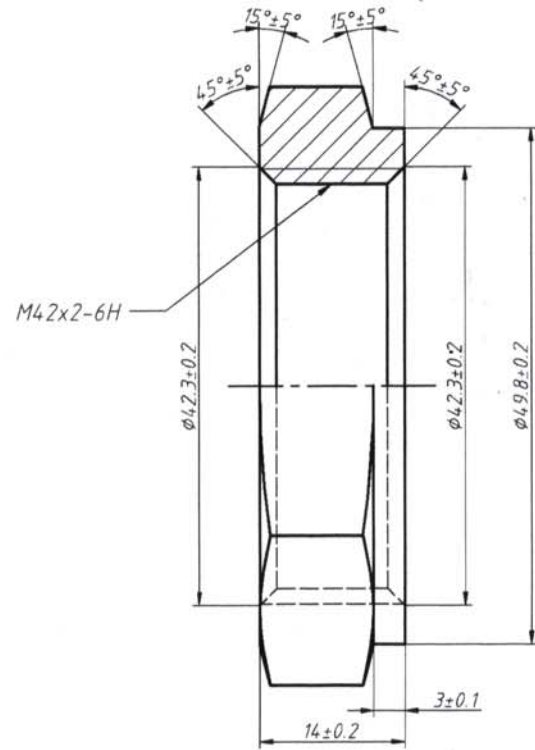
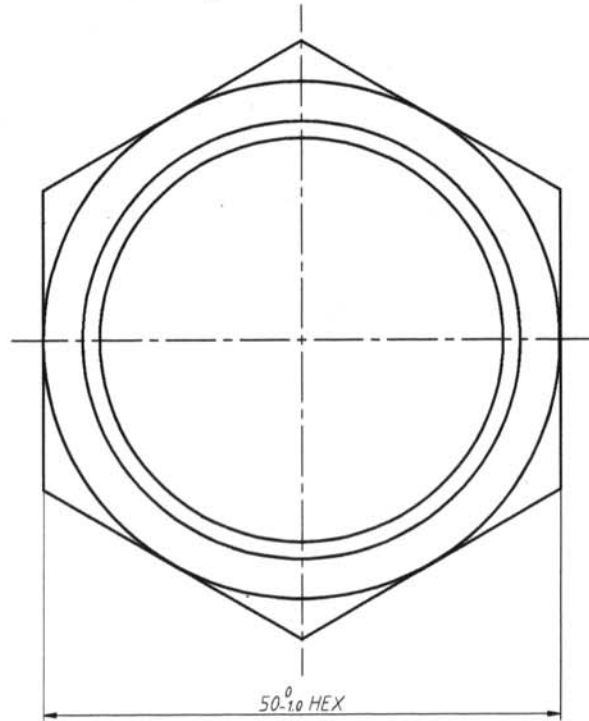


REV 更改号	DATE 日期	REVISION DETAILS 更改内容	APPD 审核并批准
A	May. 21. 2021	Production issue	



UNLESS SPECIFIED
ALL DIMENSIONS ARE IN mm,
ROUGHNESS ON
HEXAGON SURFACE
MACHINED SURFACE Ra=3.2μm,
ANGLES TOLERANCE ±5°,
DIMENSIONS TOLERANCE ±0.25mm,
REMOVE ALL BURRS,SLIVERS AND
SWARF,
BREAK ALL SHARP EDGES R<0.5mm

其它事项,
图示尺寸单位为mm,
六角面粗糙度
未注机加工表面粗糙度 Ra=3.2μm,
未注角度公差 ±5°,
未注尺寸公差 ±0.25mm
去除所有毛刺及金属切屑,
锐边倒钝R<0.5mm.

Zhejiang Gaocheng Autoparts Co.,Ltd

THIRD ANGLE PROJECTION

PART No 零件名	R344-M42
SCALE:	APPD: 批准
NTS	DRN: 余德胜 制图 2021.05.21
	DATE: 日期
	CHK: 詹永斌 审核 2021.05.21

MATERIAL	Chinese steel 45#	材料 45号钢
FINISH	ZINC PLATING WITH 8um MICRONS MINIMUM PLATING THICKNESS AND TRIVALENT CHROMATE PASSIVATION AND WITHSTAND 96 HRS TO WHITE / 144 HS TO RED RUST IN SALT SPRAY TEST.	镀锌, 三价铬钝化, 银白色, 盐雾试验96小时无白斑, 144小时无红锈, 镀锌层厚度大于8um.